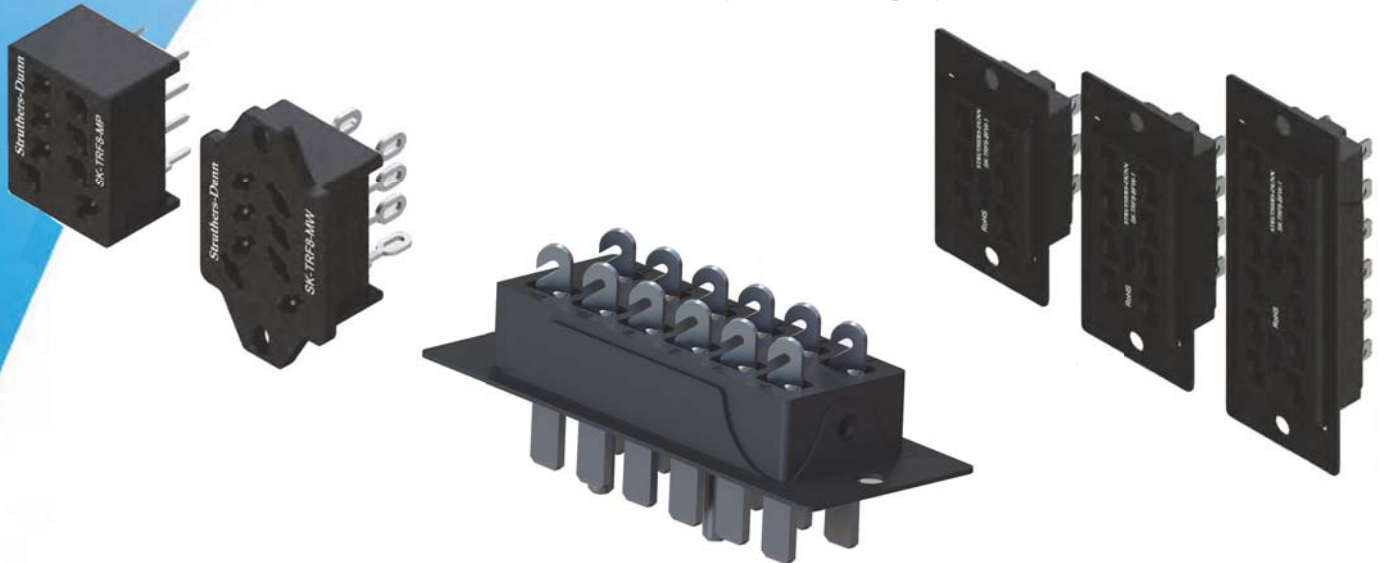


Sockets for Traffic Cabinet Relays

Our NEW sockets we have introduced, SK-TRF8-MW with flange and solder tabs or SK-TRF8-MP with no flange and PCB pins are now available to go with the New ATC compact-designed Traffic Cabinets. This socket matches up with our new Hermetic Relay for the Traffic Industry - 21XBHL-48VDC. SK-TRF are 15Amp @ 250 volt rated sockets used widely in Traffic Cabinets.

We continue to carry the standard sockets available in 6, 8 and 12 pins with flanges. The 8 pin version accepts our legacy 21 Series Traffic Relay. Also available, is the EDCO Style plug PL-TRF12E that mates with the special EDCO Style socket SK-TRF12E-MS-1, both have special mounting clips.



21H Socket Specifications

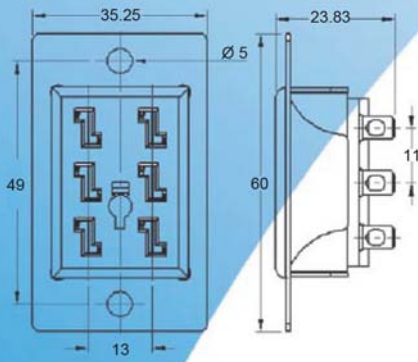
Electrical Rating	
Voltage Rating	120VAC, 48VDC
Current Rating	10A (max), 100mA (min.)
Temperature	
Operating	-40°C TO 100°C
Dielectric Properties	
Dielectric Strength	2000VAC @ 1mA
Insulation Resistance	1GΩ @ 500VDC
Miscellaneous	
Recommended Wire Size	16 AWG
Body Color	Black

Legacy 21 Socket Specifications

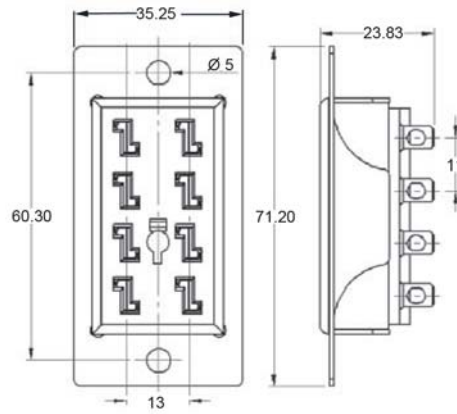
Electrical Rating	
Voltage Rating	250V
Current Rating	15 A
Temperature	
Operating	-40°C TO 125°C
Dielectric Strength	
Terminal to Terminal	2000Vrms
Terminals to Flange/Clips	2000Vrms
Miscellaneous	
Recommended Wire Size	12 AWG
Body Color	Black

Part Numbers	Style	Weight (Grams)
8K-TRF6-BFW-1	6 Pin flange mount, low back rib (Direct Replacement for BEAU/Molex 83-5406/38542-1406)	30
SK-TRF8-BFW-1	8 Pin flange mount, low back rib (Direct Replacement for BEAU/Molex S3-5408/38542-1408)	45
8K-TRF12-BFW-1	12 Pin flange mount, low back rib (Direct Replacement for BEAU/Molex 83-5412/38542-1412)	50
SK-TRF12E-MS-1	12 Pin clip mount, low back rib - Edco Style (Cross reference to BEAU/Molex 38549-0435)	45
SK-TRF12E-BFW-1	12 Pin flange mount, low back rib (Cross reference to BEAU/Molex 38549-0597)	50
SK-TRF8-MW	8 Pin Solder Tab Mount (21 H Series)	17
SK-TRF8-MP	8 Pin PCB Mount (21H Series)	19
PL-TRF12E	12 Pin Plug, low back rib - Edco Style (Cross reference to BEAU/Molex 38549-0434)	50
PL-TRF12-LCP	12 Pin Plug, low back rib (Cross reference to BEAU/Molex 38540-1912)	50

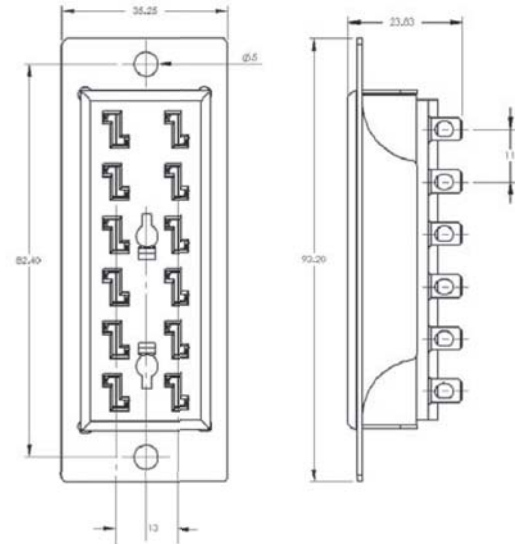
SK-TRF6-BFW-1



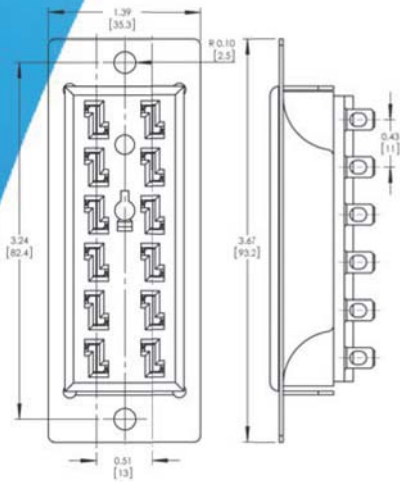
SK-TRF8-BFW-1



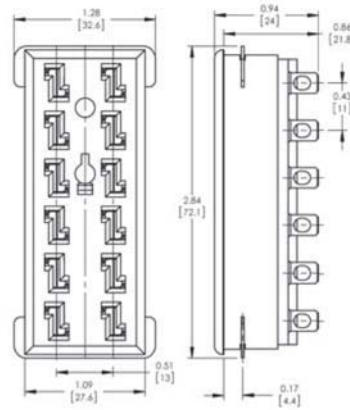
SK-TRF12-BFW-1



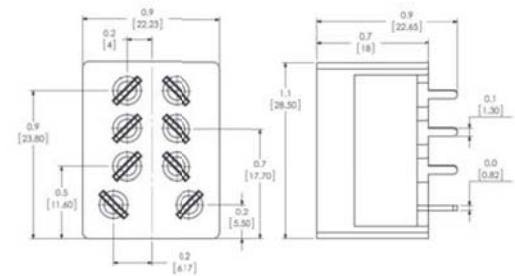
SK-TRF12E-BFW-1



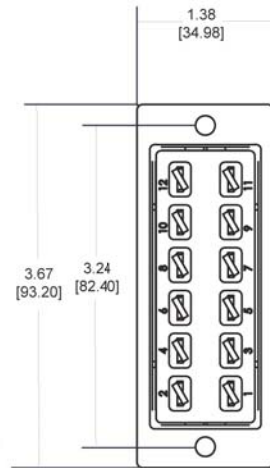
SK-TRF12E-MS-1



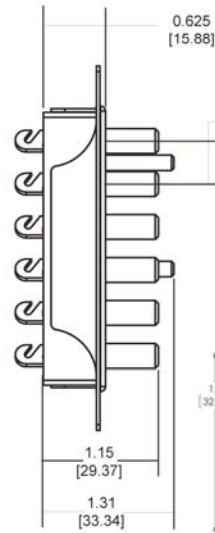
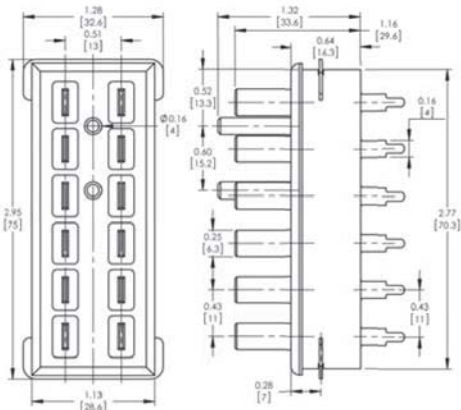
SK-TRF8-MP



PL-TRF12-LCP



PL-TRF12E



SK-TRF8-MW

