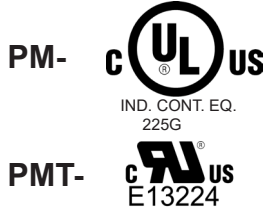


# PM Series - 10A - 35A Power Relay 4PDT



The PM Series relays offer 4 double throw poles (4PDT) for up to 35 amp and up to 277 VAC or 20 amp at 30VDC. Product also is capable of 10 amps tungsten switching. Screw terminals (8-32) are standard or .250" Quick Connect Terminals (PMT) are an option.

## GENERAL SPECIFICATIONS (@ 25° C)

### Contacts:

Contact Configuration	4PDT
Contact Material	Silver Alloy
Contact Rating	
30 VDC / Pole	20 Amp
277 VAC / Pole, Resistive	35 Amp
240 VAC (240 VAC / Pole)	1.5 Hp
480 VAC (277 VAC / Pole)	2.0 Hp
240 VAC / Pole Tungsten	10 Amp
480 VAC (277 VAC/Pole)	10 Amp
Contact Resistance, Initial	100 milliohms max @ 6VDC

PMC (When cover is added) 20 Amp, 3 Phase 240 VAC/Pole  
1HP - 120/240 VAC

### Coil:

Coils Available	AC and DC
Nominal Coil Power	14VA 4.4W
Input Voltage Tolerance - AC	85% to 110% of nominal
Input Voltage Tolerance - DC	80% to 110% of nominal
Drop-out voltage	10% of nominal
Duty	Continuous

### Timing:

Operate Time (max)	40ms
Release Time (max)	30ms

### Dielectric Strength:

Across Open Contacts	1500 VRMS
Between Mutally Insulated Points	2200 VRMS
Insulation Resistance	1000 megohms @ 500VAC

### Temperature:

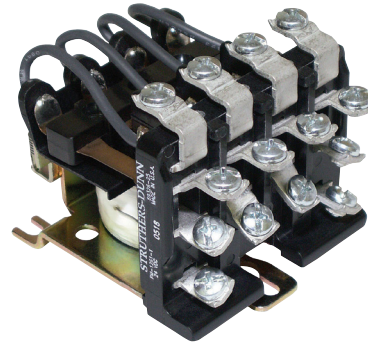
Operating	-34 to 74°C (-30 to 165°F)
Storage	-40 to 105°C (-40 to 221°F)

### Life Expectancy:

Electrical (full load operations)	100,000
Mechanical (no load operations)	10,000,000

### Miscellaneous:

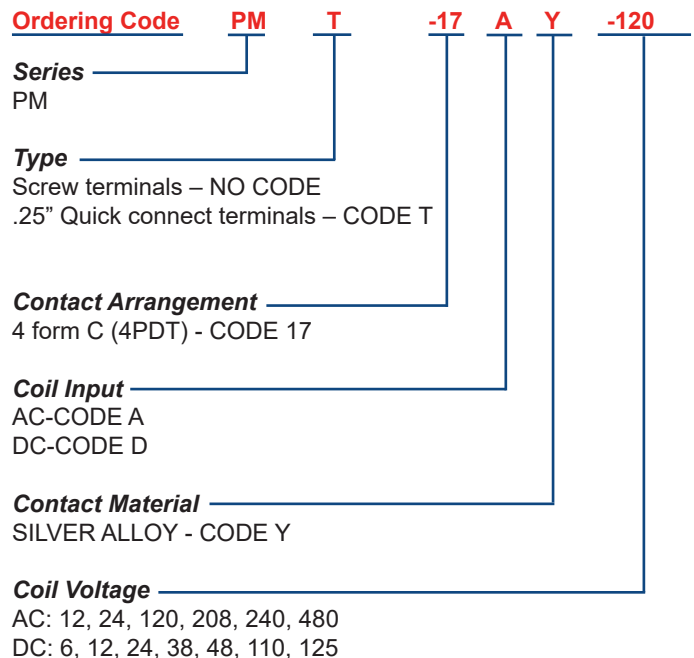
Mounting Position	Any
Enclosure	Optional - 35D203
Weight	14.9oz (379 grams)



## COIL DATA FOR PM RELAY

DC COILS			AC COILS (50/60 Hz)		
Nominal Voltage	DC Resistance in Ohms ± 10% @25° C	Nominal Current In Milliamps	Nominal Voltage	DC Resistance in Ohms ± 15% @25° C	Nominal Current In Milliamps
6	8.2	732	12	1.4	1070
12	33	364	24	5.0	540
24	132	182	120	120	128
48	526	91	240	587	61
110	2760	40	480	1790	32
125	3570	35			

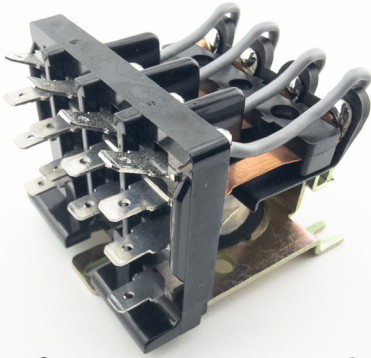
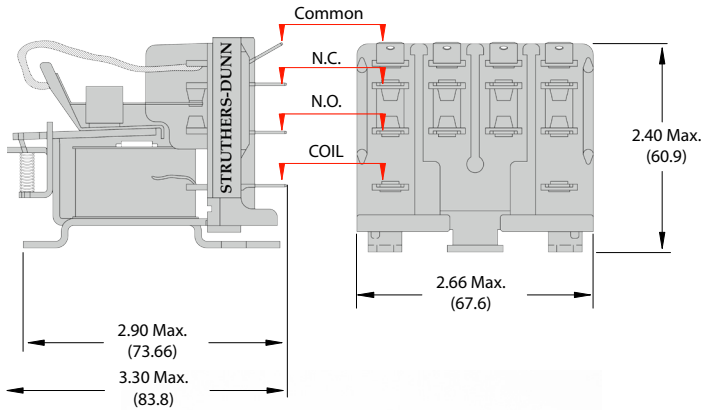
220-- Use a 110 volt relay with 2700 to 3300 ohm 5 watt wire wound resistor in series.



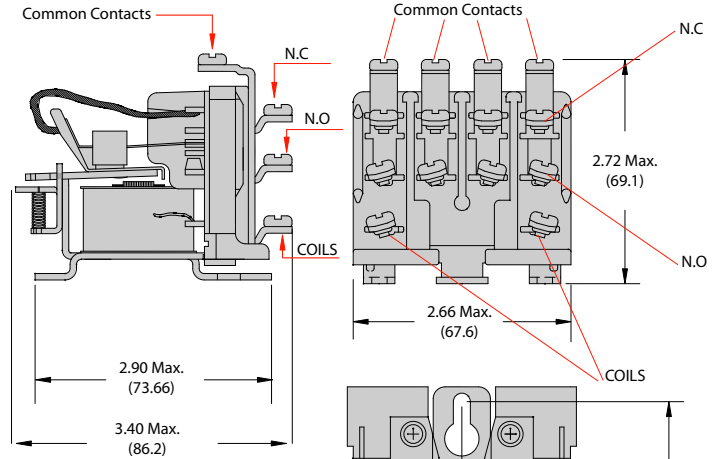
# PM Series - 10A - 35A Power Relay 4PDT

## Max Outline Dimensions Dimensions Shown in inches & (millimeters)

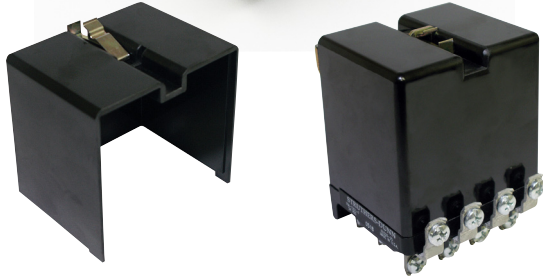
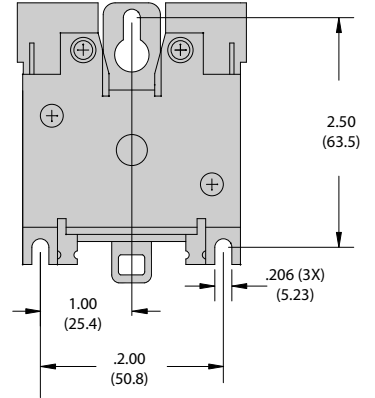
### PMT - 1/4 QC Terminal Style Base



### PM - Standard with Screw Terminals



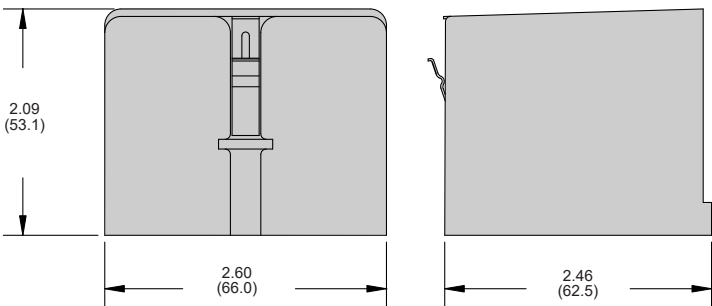
**Recommended Torque  
For 8-32 Terminal Screws  
16 Inch lbs MAX**



**Dust Cover Optional Part Number - 35D203**

**Outline Dimensions**  
Dimensions Shown in inches & (millimeters)

### PM Dust Cover



**Part Number - 35D227  
Metal Enclosure**

