

Octal Sockets - 8 and 11 Pin

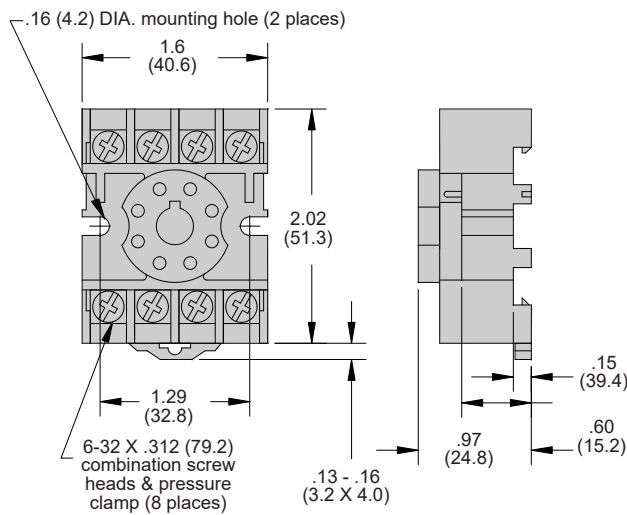


The 8 & 11 pin screw terminal sockets provide DIN rail or panel mounting options. The pressure clamp screw terminals holds wires mechanically secure and provide excellent electrical connections. Terminals accept up to two # 12 AWG wires. One piece stamped metal interconnections. No welded or soldered connections.

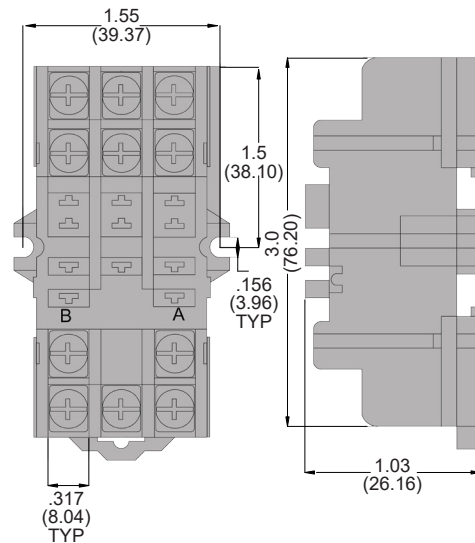
Outline Dimensions

Dimensions Shown in inches & (millimeters)

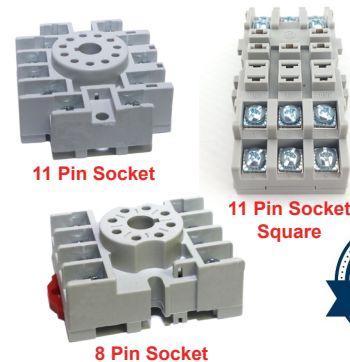
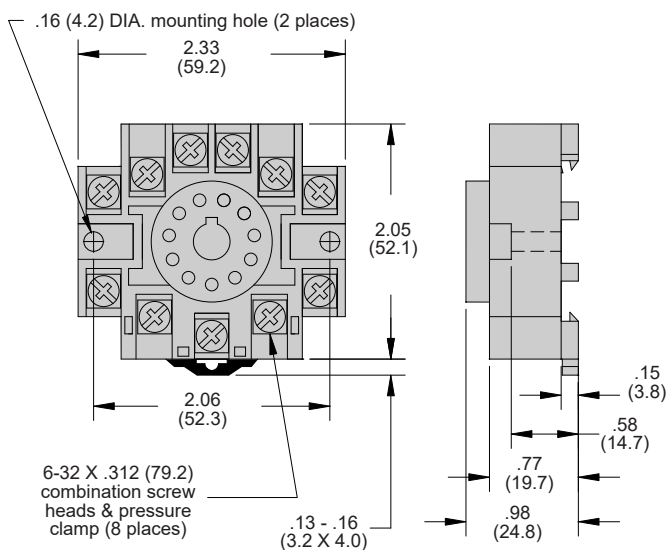
8 Pin Octal



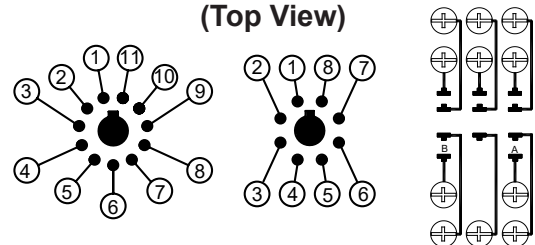
11 Pin Square



11 Pin Socket



Wire Diagram (Top View)



Important Not:
Struthers-Dunn Sockets are designed and manufactured to hold the corresponding Plugs used on Struthers-dunn relays without the need for Retaining Clips.

Part Number Chart

Part Numbers	Style	Weight (Grams)
SK-CIR8-DS	8 Pin octal socket, panel / DIN mount, screw terminals	42.3
SK-CIR11-DS	11 Pin octal socket, panel / DIN mount, screw terminals	56.0
SK-SQB11-DS	11 Pin square socket, panel / DIN mount, screw terminals	45.4