



New



Legacy



Legacy

88H NEW LEGACY RELAY IMPORT DESIGN



GENERAL SPECIFICATIONS (@25 °C)

Input	INDIA MADE (NEW)		US MADE(LEGACY)	
Coil Voltage Range	Nominal Input Voltage	Nominal Coil Resistance, Ω at 25 °C	Nominal Input Voltage	Nominal Coil Resistance, Ω at 25 °C
	12 VDC	120	12 VDC	100
	24 VDC	470	24 VDC	400
	48 VDC	1800	48 VDC	1500
	115/125 VDC	10,000	115/125 VDC	11,000
	24 VAC	72	24 VAC	40
	120 VAC 240 VAC	1700 7200	120 VAC	1000
Drop-out Voltage (Min. or Higher)	10% of nominal VAC, 10% of nominal VDC		10% of nominal VAC, 10% of nominal VDC	
Average Consumption Coil	2.1 VA (AC), 1.2 W (DC)		3 VA (AC), 1.2 W (DC)	
Maximum Operating Voltage	110 % (AC/DC)		110 % (AC/DC)	
Maximum Pickup Voltage	80% of nominal (VDC) 85% nominal (VAC)		80% of nominal (VDC) 85% nominal (VAC)	

88 H SERIES

Contacts					
Contact Configuration	DPDT, 3PDT / 2 Form C, 3 Form C			Up to 3PDT	
Contact Type	Silver Alloy			Silver Cadmium Oxide	
Switching Ratings	Amps/Power	Voltage	Cycles	Load	
	12 A	240 VAC	100k	Resistive	10A 240 VAC 100K* Resistive
	12 A	30 VDC	100k	Resistive	10A 28 VDC 100K* Resistive
	1/3 HP	120 VAC	6k	Motor	
	1/2 HP C300	240 VAC	100k 6k	Motor Pilot Duty	
Maximum Switching Voltage	240 VAC, 30 VDC			240 VAC, 28 VDC	
Minimum Switching Requirement	25 mA @ 12 VAC, 12 VDC			-	
Thermal (Carrying) Current	12 Amps			10 Amps	

Performance		
Mechanical Life	5,000,000 cycles	5,000,000 cycles
Electrical Life, Operations at Rated Current	100,000 cycles	100,000 cycles
Operate Time (Response Time) - On	25ms	25ms
Release Time	20ms	20ms
Dielectric Strength (coil to contacts)	1500 Vrms	1250 Vrms

Environment		
Ambient Temperature - Storage	-40 to +85 °C	-30 to 105 °C
Ambient Air Temperature around the device - Operation	-20 to +60°C	-10 to 60 °C



Miscellaneous

INDIA MADE (NEW)

US MADE(LEGACY)

Weight	130 grams	113 grams (Round Can), 136 grams (Octagon Can)
Component Type	Hermetically Sealed Relay	Hermetically Sealed Relay
Mounting Type	8 pin (SK-CIR8-DS) or 11 pin (SK-CIR11-DS)	8 pin (SK-CIR8-DS) or 11 pin (SK-CIR11-DS)

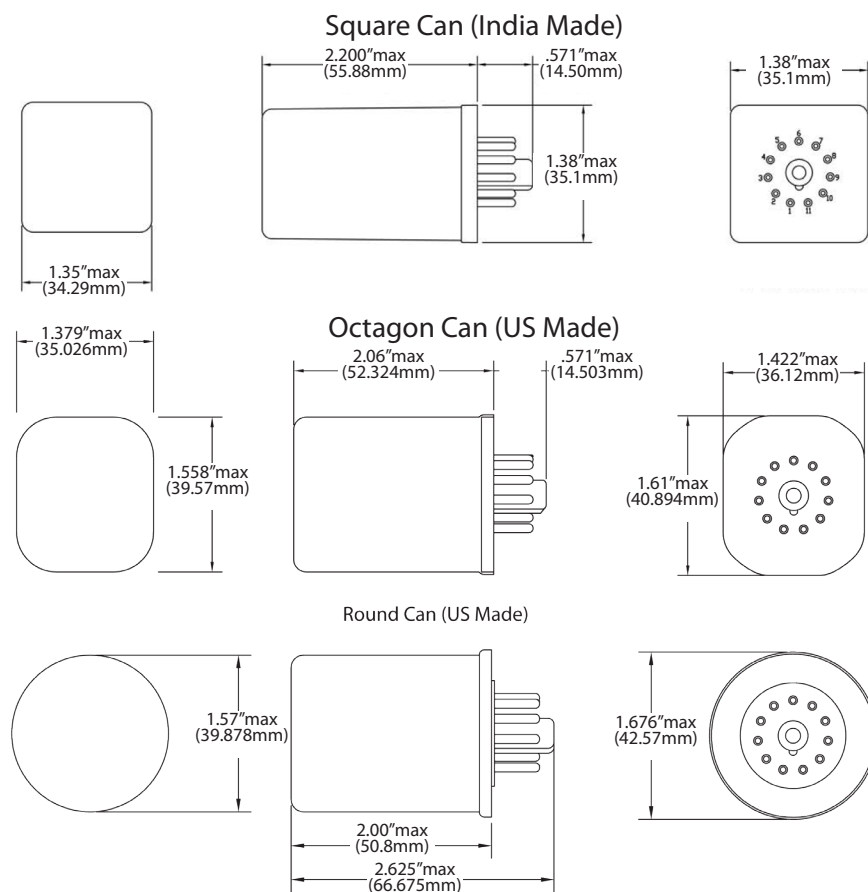
Conformance Approvals

UR/CUR Recognized Component	Yes, Ordinary locations (E52197) and Hazardous Locations Class I, Division 2 (E509225)	No
UL/CUL Listed	Yes, Ordinary locations (E52197) and Hazardous Locations Class I, Division 2 (E509225) when used with Struthers-Dunn Sockets SK-CIR8-DS or SK-CIR11-DS(E340027)	No

Environmental Product Compliance

REACH free of SVHC	YES	No
Free of PFAS	YES	No
EU RoHS Directive	Pro-active Compliance	No

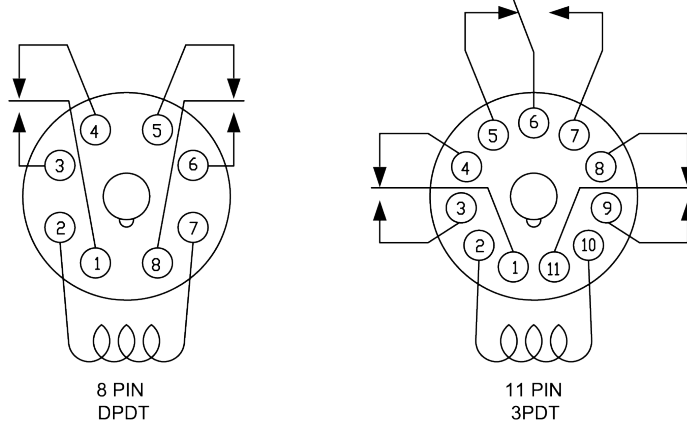
Max Outline Dimensions (Inches)



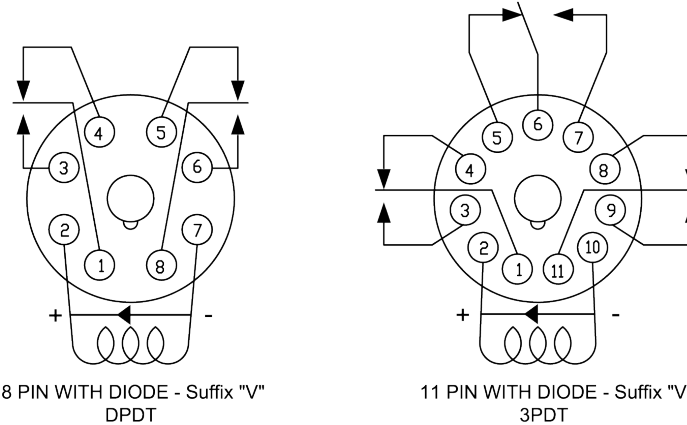
Legacy Relay Wiring

11 pin Octal Socket Part number SK-CIR11-DS

8 Pin Octal Socket Part Number SK-CIR8-DS



88HP Wiring Legacy Diagrams with Coil Suppression Diode (DC Coil only)
(Bottom View) - US and India Made

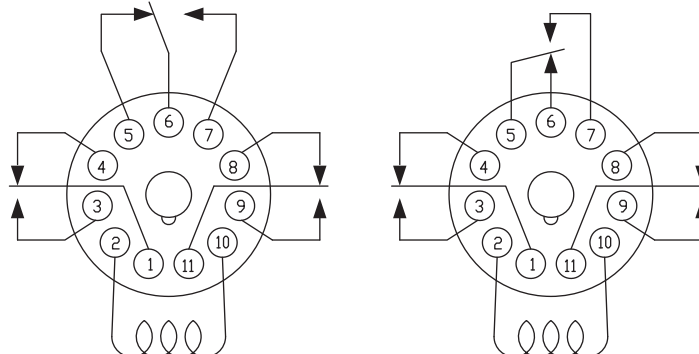


The 88H Series Relay is compatible with other Industry Octal sockets. However, No Hold Down Clips are needed when Struthers-Dunn Relays and Sockets are used together.

The NEW 88H Series wiring on the 3 pole versions meet the NEMA/IEC standard with the common on Pin #5 and NC on Pin #6 which is the opposite for the Legacy 88 Part numbers. See below for side by side wiring diagram comparison.

3-POLE (XCX) LEGACY WIRING

3-POLE (XCX) NEW 88H WIRING



*All new 88H relays are available with an optional indicator Lamp by adding an "L" following the H in the nomenclature for example the lamp version of 88XBXH-24VDC is 88XBXHL-24VDC



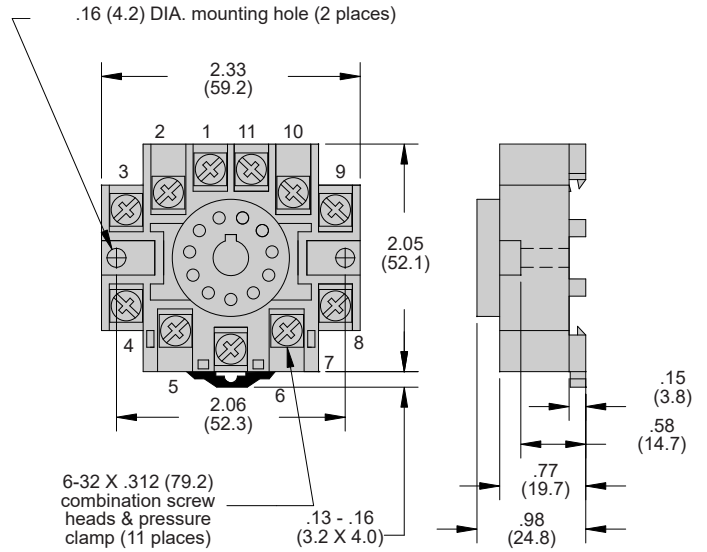
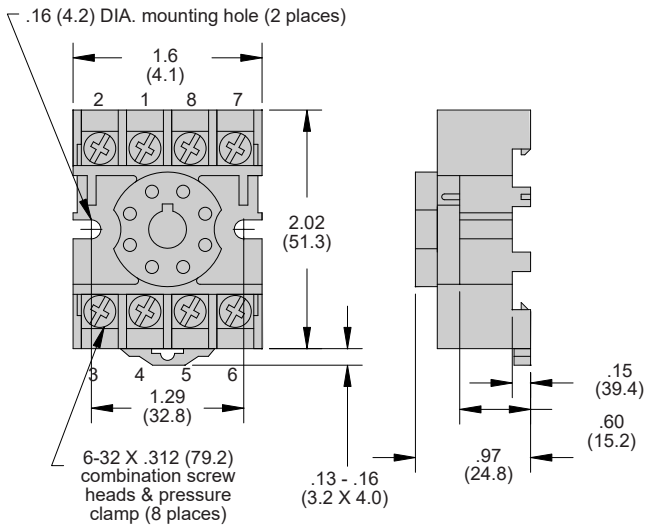
Available Legacy Part Numbers	Coil	Contacts	New 88H Direct Cross Product*
88AHPX-103	24 VAC	DPDT	88XBXH-24VAC
88AHPX-24	120 VAC	DPDT	88XBXH-120VAC
88AHPX-27	120 VAC	DPDT	88XBXH-120VAC
88AHPX-48	120 VAC	DPDT	88XBXH-120VAC
88AHPX-104	120 VAC	DPDT	88XBXH-120VAC
88AHPX-36	120 VAC	3PDT	88XCXH-120VAC
88AHPX-70	120 VAC	3PDT	88XCXH-120VAC
88AHPX-90	120 VAC	3PDT	88XCXH-120VAC
88AHPX-105	120 VAC	3PDT	88XCXH-120VAC
88HPX-33	12 VDC	DPDT	88XBXH-12VDC
88HPX-154	12 VDC	DPDT	88XBXH-12VDC
88HPX-34	24 VDC	DPDT	88XBXH-24VDC
88HPX-155	24 VDC	DPDT	88XBXH-24VDC
88HPX-118	24 VDC	3PDT	88XCXH-24VDC
88HPX-108	48 VDC	DPDT	88XBXH-48VDC
88HPX-169	48 VDC	3PDT	88XCXH-48VDC
88HPX-111	115/125 VDC	DPDT	88XBXH-115/125VDC
88HPX-112	115/125 VDC	DPDT	88XBXH-115/125VDC
88HPX-116	115/125 VDC	DPDT	88XBXH-115/125VDC
88HPX-122	115/125 VDC	DPDT	88XBXH-115/125VDC
88HPX-156	115/125 VDC	DPDT	88XBXH-115/125VDC
88HPX-161	115/125 VDC	3PDT	88XCXH-115/125VDC
88HPX-164	115/125 VDC	3PDT	88XCXH-115/125VDC
88HPX-117	115/125 VDC	3PDT	88XCXHV-115/125VDC
88HPX-153	24 VDC	3PDT	88XCXH-24VDC
W88HPX-51	24 VDC	3PDT	88XCXH-24VDC
W88HPX-51V	24 VDC	3PDT	88XCXHV-24VDC
88HPX-136	12 VDC	3PDT	88XCXH-12VDC
88HPX-136V	12 VDC	3PDT	88XCXHV-12VDC
88HPX-48	48 VDC	3PDT	88XCXH-48VDC
88HPX-48V	48VDC	3PDT	88XCXHV-48VDC
88HPX-91A	115/125 VDC	3PDT	88XCXH-115/125VDC
88HPX-91AV	115/125 VDC	3PDT	88XCXHV-115/125VDC
88AHPX-74	240 VAC	DPDT	88XBXH-240VAC

Socket Outline Dimensions

8 Pin Socket-SK-CIR8-DS



11 Pin Socket-SK-CIR11-DS



Retaining Clips are not required when Struthers-Dunn Relays and Sockets are used together.

For additional information on sockets see SK-CIR Datasheet



A 100% Employee Owned Company

100 Years of Engineering and Manufacturing of Electrical/Mechanical and Solid-State Relays for various Industries Worldwide!



407 E Smith St, Suite B, Timmonsville, SC 29161 | Phone: (843) 346-4427

www.struthers-dunn.com | info@struthers-dunn.com