

*“Hybrid” Main Contactors
for
Next Generation ATC Cabinets
428/429 Series*



- Long Life (1 million operations, est.)
 - Combination solid-state & electromechanical relay in parallel
- LED-Power “on” Indication
- IP 20 Touch Proof
- Input Voltage: 48 VDC
- Output:
 - 60 Amps @ 120 VAC (428 Series)
 - 20 Amps @ 48 VDC (429 Series)
- Wiring - Input AWG 22-18 (Touch Proof screwless contacts)
 - Output AWG 14-8 (Internal screw-style wiring lugs)

General Specifications

428/429AXXL-48VDC

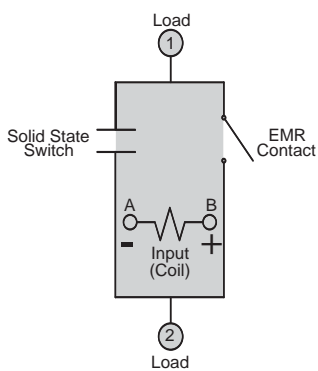
Input	428	429
Voltage Range	48VDC \pm 10%	48VDC \pm 10%
Must Release Voltage	4.8 VDC	4.8 VDC
Power	2.9 Watts	2.9 Watts
Input Current	60mA \pm 10%	60mA \pm 10%
Contacts		
Contact Configuration	SPST - NO	SPST - NO
Component Type	Hybrid Relay	Hybrid Relay
Mounting Type	Panel Mount	Panel Mount
Switching Device	Triac + EMR	MOSFET + EMR
Current Rating	60 A @ 120VAC	20 A @ 48VDC
Output Voltage Range	24 to 120 VAC	48 VDC \pm 10%
Performance		
Electrical Life, Operations at Rated Current	1,000,000	1,000,000
Operate Time (Response Time) - On	50mS	50mS
Release Time (Response Time) - Off	50mS	50mS
Environment		
Ambient Temperature - Storage	-40 to +100 °C	-40 to +100 °C
Ambient Temperature - Operation	-40 to +75 °C	-40 to +75 °C
Miscellaneous		
Input Indicator	Green LED	Green LED
Input Terminal Wire Size	22-18 AWG	22-18 AWG
Output Terminal Wire Size	14-8 AWG	14-6 AWG
Weight	140g (5 oz)	140g (5 oz)

Wiring Diagrams

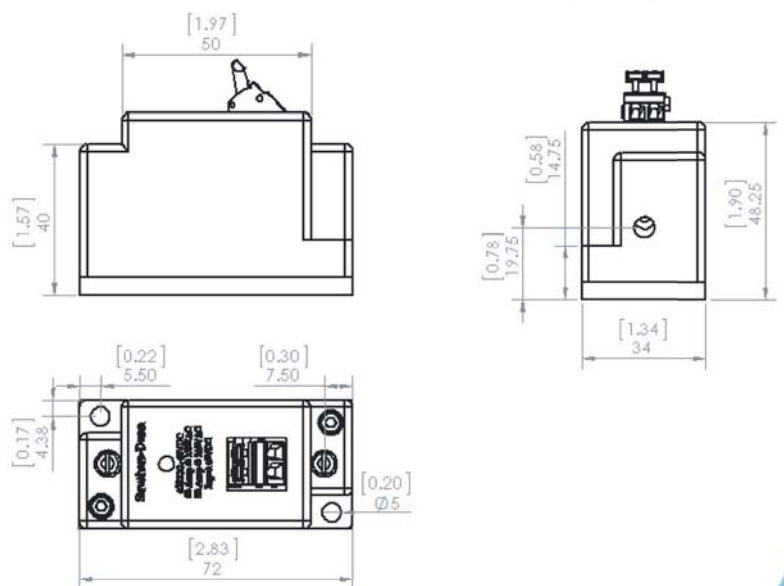
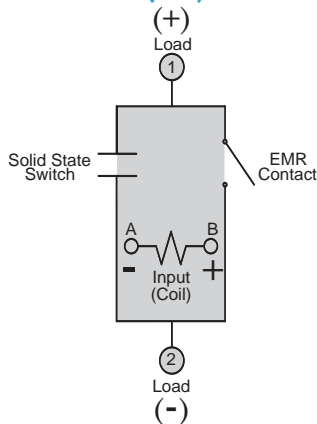
Outline Dimensions

Dimensions shown in millimeters & (inches)

428 Series
Normally Open
(AXX)



429 Series
Normally Open
(AXX)



428 SERIES
QR CODE



429 SERIES
QR CODE

Struthers-Dunn

407 E Smith Street - Suite B
Timmonsville, SC 29161
Phone: (843) 346 - 4427 Fax: (843) 346 - 4465
Sales & Technical Email: info@struthers-dunn.com

Visit us at www.struthers-dunn.com