

# 193 Series - Dry Miniature Reed

## Up to 4PDT, 0.5 Amp

The 193 series is a unique series of dry reed relays easily customized for special needs. Customers can choose up to four pole double throw in a single package. All poles are operated by a single coil to reduce power consumption. Maximum switching capacity is 0.5 amps at 200VDC. Rhodium contact material provides long life at FAST switching speeds.

### GENERAL SPECIFICATIONS (@ 25° C)

#### Contacts:

Contact Configuration	Up to 4PDT	
Contact Material	Rhodium	
Contact Rating	xPDT	xPST
Load (maximum)	4VA	10VA
Switching Voltage (maximum)	120VDC	200VDC
Switching Current (maximum)	0.25 Amp	0.5 Amp
Carry Current (maximum)	1 Amp	2 Amp
Contact Resistance, Initial	150 milliohms	100 milliohms max @ 6VDC

#### Coil:

Coils Available	DC
Coil Power	Varies
Input Voltage Tolerance - DC	80% to 110% of nominal
Drop-out voltage	10% of nominal
Duty	Continuous

#### Timing:

Operate Time (typical w/o suppression)	1ms
Release Time (typical w/o suppression)	1ms

#### Dielectric Strength:

Across Open Contacts	400VDC	500VDC
Between Mutually Insulated Points	500VDC	
Insulation Resistance	1000 megohms @ 100VDC	

#### Capacitance:

Across Open Contacts	2.1pF	0.4pF
----------------------	-------	-------

#### Temperature:

Operating	-40 to 125°C (-40 to 200°F)
Storage	-40 to 200°C (-40 to 392°F)

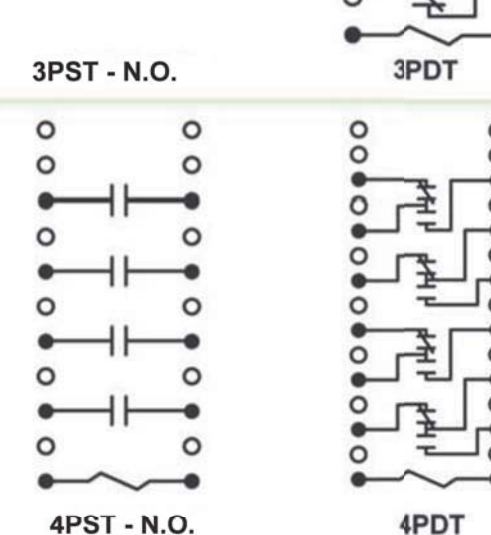
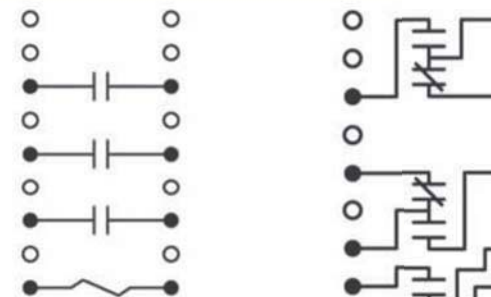
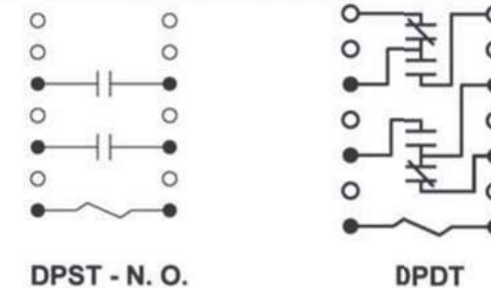
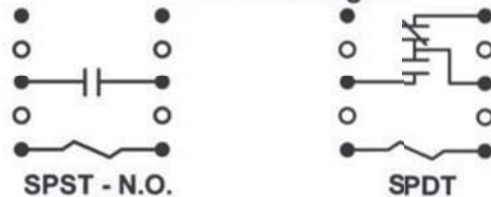
#### Life Expectancy:

Electrical (full load operations)	10,000,000
Mechanical (no load operations)	100,000,000

#### Miscellaneous:

Enclosure	Epoxy Encapsulated
Mounting Position	Any
Weight	Varies

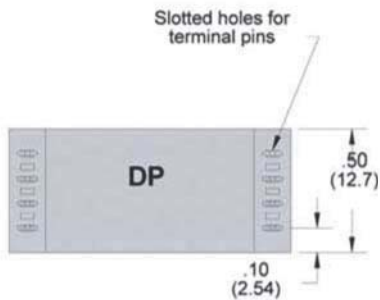
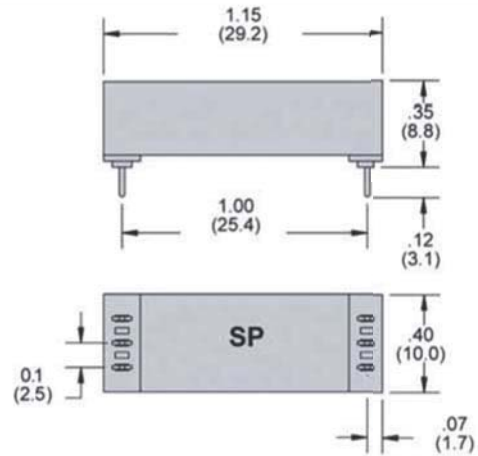
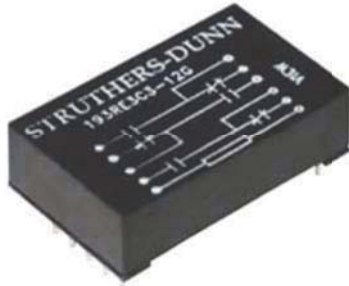
193 Wire Diagram



# Reed Relays

## Outline Dimensions

Dimensions Shown in inches & (millimeters)



## 193 Part Number Chart

Part number	Nominal input voltage	Maximum pull-in	Minimum dropout	Nominal resistance (ohms)	Nominal power (mW)	Maximum Contact Rating		
						Maximum switching load	Switching current and voltage	Carry current (Amps)
<b>SPST - N.O.</b>								
193RE1A3-5S	5	4	0.5	500	50	10VA	0.5 Amps 200VDC	2 Amps
193RE1A3-12G	12	9	1	420	350			
193RE1A3-24G	24	18	2	2300	250			
<b>SPDT</b>								
193RE1C3-5S	5	4	0.5	350	70	3VA	0.25 Amp 100VDC	1 Amps
193RE1C3-12G	12	9	1	420	350			
193RE1C3-24G	24	18	2	2300	250			
<b>DPST - N.O.</b>								
193RE2A3-6G	5	4	0.5	70	360	10VA	0.5 Amp 200VDC	2 Amps
193RE2A3-12G	12	9	1	280	500			
193RE2A3-24G	24	18	2	1500	390			
<b>DPDT</b>								
193RE2C3-6G	5	4	0.5	70	360	3VA	0.25 Amp 100VDC	1 Amps
193RE2C3-12G	12	9	1	280	500			
193RE2C3-24G	24	18	2	1500	390			

\*Call for 3 and 4 pole