

# 134 Series - Mercury Reed

## SPDT, DPDT , 2 Amp

The 134 series are single throw, normally open, miniature mercury reed relays. Reeds are hermetically sealed in glass tubes with trace amounts of liquid mercury to provide continuously refreshed contact surfaces for extremely long life.

The 131 series offers double throw contacts. Both are capable.

### GENERAL SPECIFICATIONS (@ 25° C)

#### Contacts:

Contact Configuration	Up To DPDT
Contact Material	Liquid Mercury
Contact Rating	
Load (maximum)	50VA
Switching Voltage (maximum)	500VDC
Switching Current (maximum)	2 Amp
Carry Current (maximum)	3 Amp
Contact Resistance, Initial	100 milliohms max @ 6VDC

#### Coil:

Coils Available	DC
Coil Power	Varies
Input Voltage Tolerance - DC	80% to 110% of nominal
Drop-out voltage	10% of nominal
Duty	Continuous

#### Timing:

Operate Time (typical w/o suppression)	2ms
Release Time (typical w/o suppression)	2.5ms

#### Dielectric Strength:

Across Open Contacts	1,000VRMS
Between Mutually Insulated Points	1,000VRMS
Insulation Resistance	1,000 megohms @ 500VAC

#### Capacitance:

Across Open Contacts	0.9pF
----------------------	-------

#### Temperature:

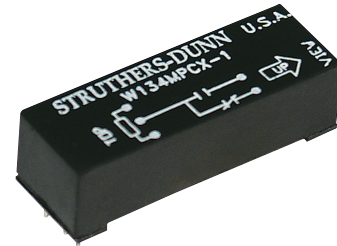
Operating	-37 to 85°C (-34.6 to 185°F)
Storage	-40 to 105°C (-40 to 221°F)

#### Life Expectancy:

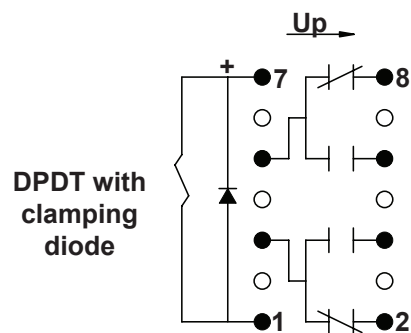
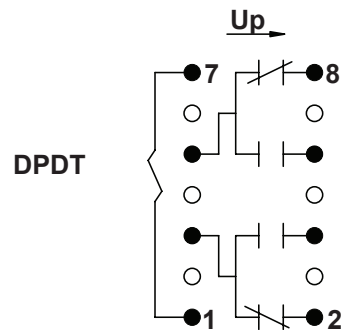
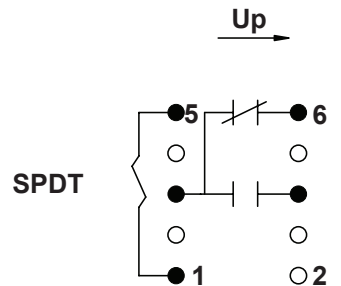
Electrical (full load operations)	40,000,000
Mechanical (no load operations)	100,000,000

#### Miscellaneous:

Enclosure	Epoxy encapsulated
Mounting Position	Vertical ±15°
Weight	Varies



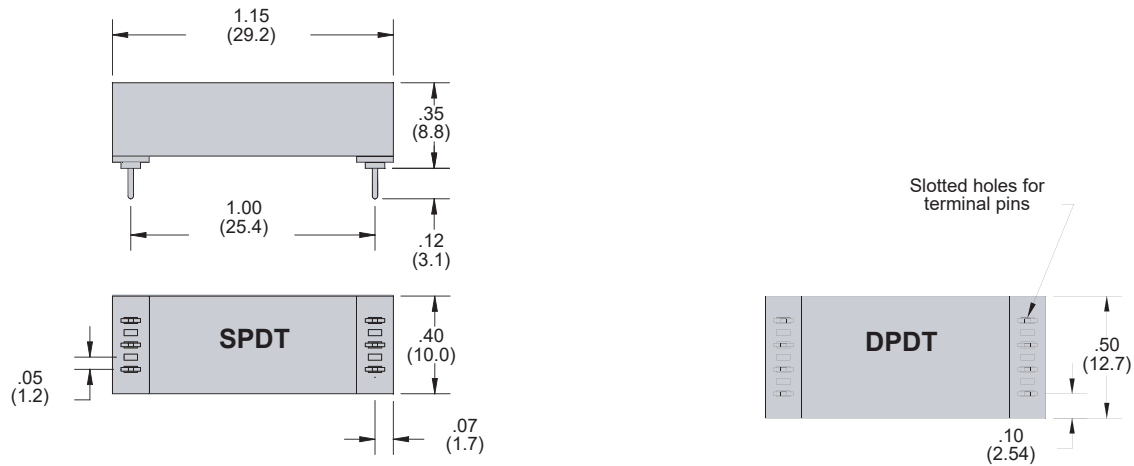
134 Wire Diagram  
(Top View)



# Reed Relays

## Outline Dimensions

Dimensions Shown in inches & (millimeters)



## 134 Part Number Chart

Part number	Nominal input voltage	Maximum pull-in	Minimum dropout	Nominal resistance (ohms)	Nominal power (mW)	Maximum Contact Rating		
						Maximum switching load	Switching current and voltage	Carry current (Amps)
<b>SPDT Mercury</b>								
134MPCX-1	5	4	0.5	60	417	50VA	1 Amps 500VDC	2 Amps
134MPCX-2	12	9	1	330	435			
134MPCX-3	24	18	2	1400	410			
<b>DPDT Mercury</b>								
134MPCX-7	5	4	0.5	45	560	50VA	1 Amp 500VDC	2 Amp
134MPCX-8	12	9.6	1	230	620			
<b>DPDT Mercury with Clamping Diode</b>								
134MPCX-10	5	4	1	45	560	50VA	1 Amp 500VDC	2 Amp
134MPCX-11	12	9.6	1	230	620			